

QUESTION
What do you suppose old Alex really said when he spilled the acid on himself? Could it be that History's first phone call was an obscene one?

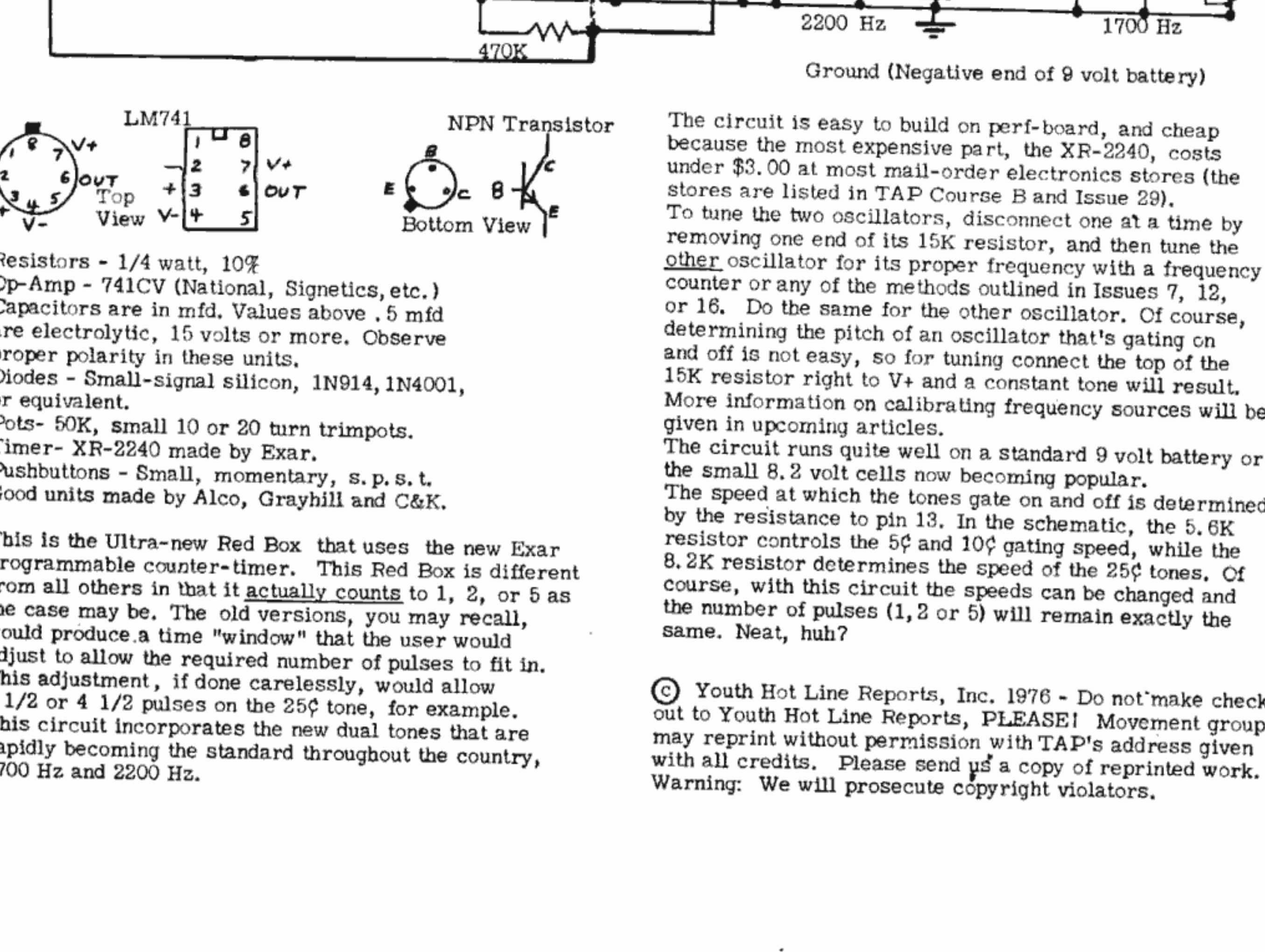
Agent 038

(If you didn't understand it, we will explain it in a future issue.)

ULTIMATE RED BOX by Al Bell

JUNE 1976

NO. 36



This is the Ultra-new Red Box which uses the new EXAR programmable counter-timer. This Red Box is different from all others in that it actually counts to 1, 2, or 5 as the case may be. The old versions, you may recall, would produce a time "window" that the user would adjust to allow the required number of pulses to fit in.

The circuit is easy to build on perf-board, and cheap because the most expensive part, the XR-2240, costs under \$3.00 at most mail-order electronics stores.

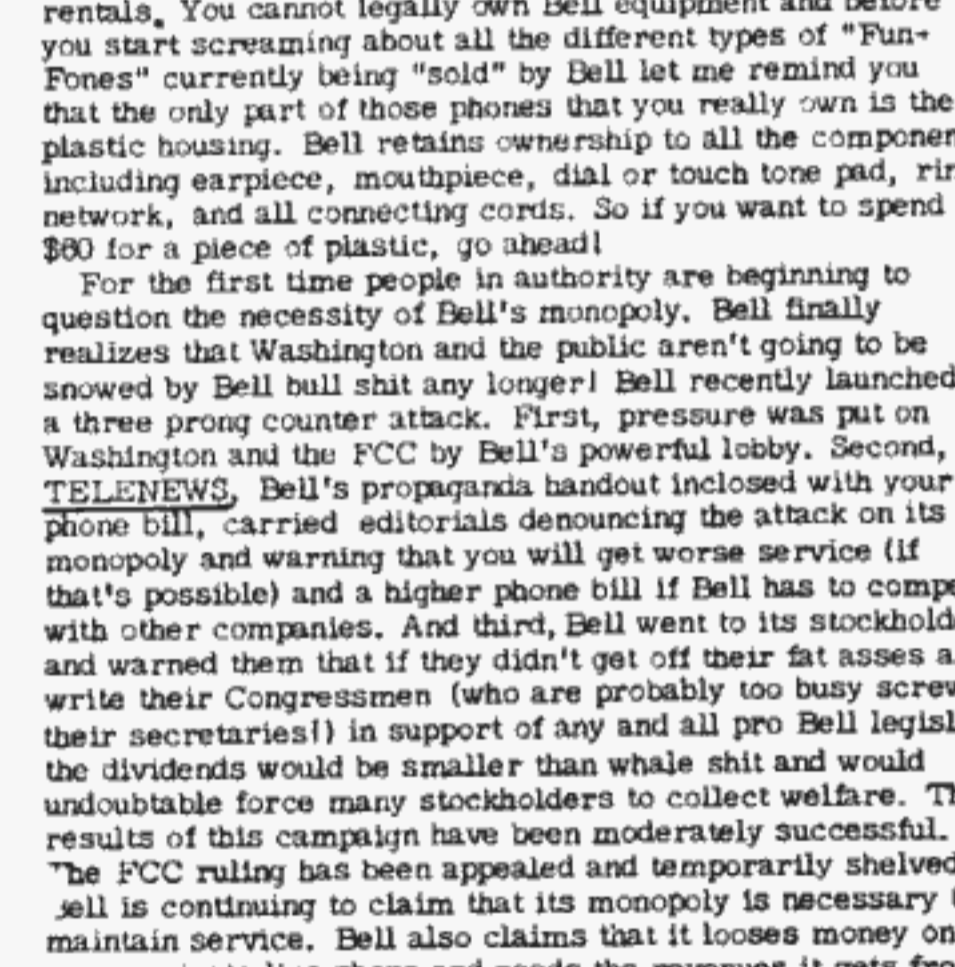
The circuit runs quite well on a standard 9 volt battery or the small 8.2 volt cells now becoming popular. The speed at which the tones gate on and off is determined by the resistance to pin 13.

© Youth Hot Line Reports, Inc. 1976 - Do not make checks out to Youth Hot Line Reports, PLEASE! Movement groups may reprint without permission with TAP's address given with all credits.

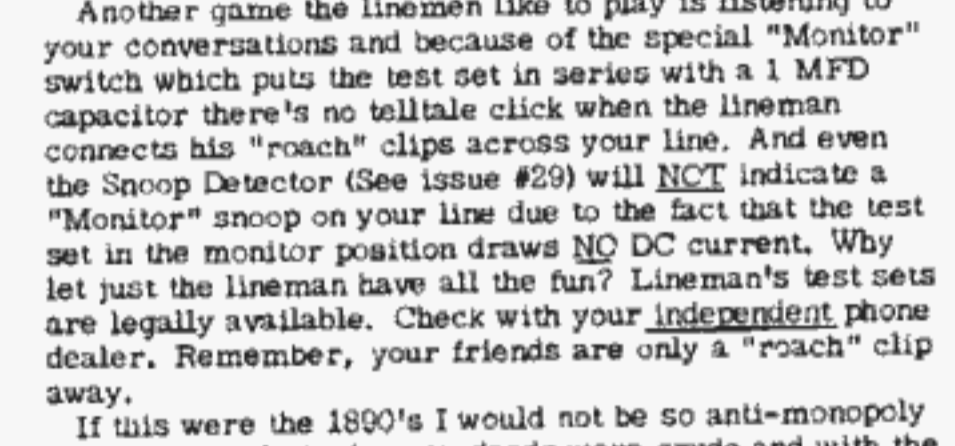
ODDS & ENDS by TOM EDISON

THE TAP T-SHIRTS ARE FINALLY HERE!!! The cost is \$4. The TAP T-shirts are white with black TAP logo. We're only making a few to order right away.

I received a request from a reader in West Virginia inquiring how to connect your own battery to my Automatic Black Box (See issue #33) for increased volume. I sent him a possible solution and he wrote back informing me that the circuit is working well!



E-6-24 volt battery
R-1 KOhm Pot, audio taper with on-off switch
The standard 10 K Ohm resistor is NOT needed. The capacitor passes the audio but blocks the DC voltage which results in an "on-hook" condition.



R-10 KOhm resistor, 1/2 watt
C-10 MFD capacitor, 100 WVDC

Here's some more good news. Litton Industries has recently sued Pa Bell for \$383 million in damages charging Bell with monopolizing the manufacture, distribution, sale and leasing of blocking equipment.

And speaking of blocking equipment, Big Brother Bell, let me add a few words. On March 18, 1976 the FCC, in one of its smartest decisions they've ever made, ruled that subscribers could legally own and connect terminal equipment to their phone lines.

Another great piece of the line, not just the plastic housing! your conversations and because of the special "Monitor" switch which puts the test set in series with a 1 MFD capacitor there's no telltale click when the lineman connects his "roach" clips across your line.

If this were the 1890's I would not be so anti-monopoly because manufacturing plants were crude and with the time all making their own phones, standardized equipment would be difficult to obtain.

From The News Tribune

The device is connected between the two dials but please note that only answering devices equipped with A & A1 terminals can be connected this way.

In my "Odds & Ends" last month I told how to use your MF Red Box but I failed to mention a very important point. You will recall that Pa Bell is now having operators check to determine if coins are being deposited so it is now necessary to redeposit a slug to reset the coin relay and get at least one real "beep" and then "beep" the balance with your Red Box.

TELEPHONE ELECTRONICS LINE, better known as TEL, has lost its suit with PT&T and was forced to commit the unpardonable sin of turning over their mailing list to PT&T.

Ever have Pa Bell charge you for a long distance call that you never made? This annoyance is due to the usual billing incompetence of Bell and due to a new breed of telephone linemen who are misusing that staple of the phone company, the lineman's test set.

And speaking of Western Electric, what the hell are they doing spending my money advertising on "60 Minutes", which recently has had some excellent segments on using false ID and ripping off a king in Florida.

I've been informed by readers that Ballantine Books, publishers of IM SORRY, THE MONOPOLY YOU HAVE REACHED IS NOT IN SERIALS.

Block Issues are 50¢ each, 10¢ each if you order a full set. See previous issues for list of feature articles.

S.1 is the greatest and appropriate revision and reauthorization of the Federal Communications Act since its passage in 1934.

As the government's role in the economy grows, it is essential that the government should have the authority and power needed to do what the people want.

This is no cause to relax. It'll probably be back next year, in a slightly less objectionable version.

36

ASK Mr. PHELPS

Q. My ex-husband has custody of our children and has an unlisted phone number. How can I find out his number?

A. There are several ways which I will describe, but first you'll have to bear with me for a few paragraphs.

You realize, I am sure, that you are asking me to show you how to violate someone else's privacy. It is most unfortunate that people get into such situations.

WALT DISNEY

It is not a Walt Disney film. I read the novella by Harlan Ellison years ago and was delighted to see it appear as a movie. It is "an R rated, rather kinky tale of survival".

Published for informational purposes only by Youth Hot Line Reports, Inc.

Address all mail and checks to TAP, ROOM 504, 152 W. 42 ST., NY 10036

IDIOT OF THE MONTH

SHAKE HALL
Frank B walking around with his chest stuck out to here. On December 15 an elderly Christmas gift in the form of an 8 lb. 4 oz. bundle of joy was delivered.

20% of the Local's members are out of work, including this idiot, so he and his brood sow have another one!

FANTASIA IS Back!

FANTASIA IS Back!

Or should be, on its annual visit, by the time you read this. If you've seen it, you understand my enthusiasm.

A BOY AND HIS DOG
is not a Walt Disney film. I read the novella by Harlan Ellison years ago and was delighted to see it appear as a movie.

BULK RATE U.S. POSTAGE PAID
Permit No. 207 Great Neck, N.Y.